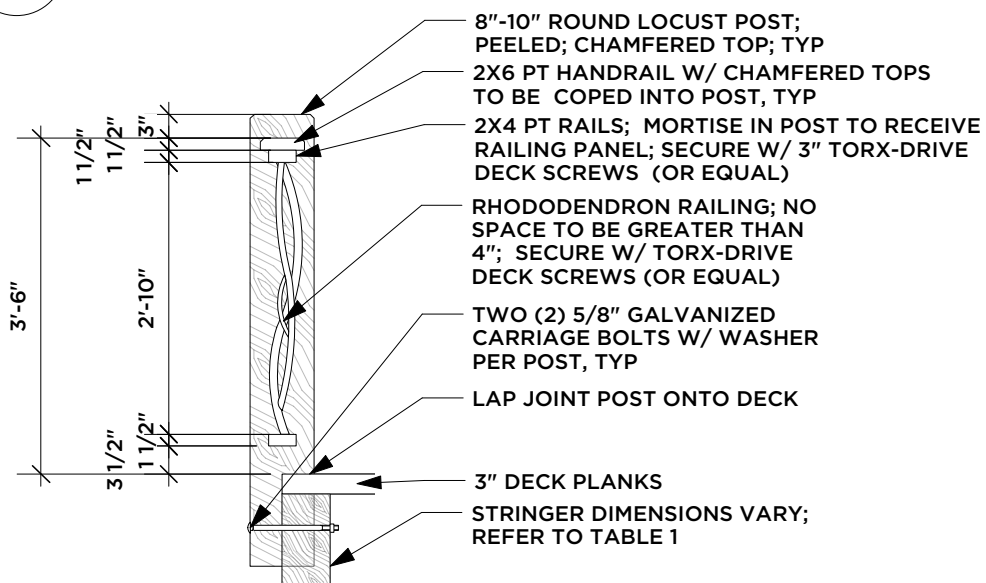


1 CUSTOM BRIDGE RAILING - ELEVATION

Scale: 3/4" = 1'-0"



2 CUSTOM BRIDGE RAILING - SECTION

Scale: 1/2" = 1'-0"

RHODODENDRON RAILING; NO SPACE TO BE GREATER THAN 4"; SECURE W/ TORX-DRIVE DECK SCREWS (OR EQUAL)

TWO (2) 5/8" GALVANIZED CARRIAGE BOLTS W/ WASHER PER POST, TYP

3" DECK PLANKS

STRINGER HEIGHT VARIES; REFER TO TABLE 1

NOTES:

(1) ALL RAILING MEMBERS (LOCUST POSTS, 2X4 RAILS, 2X6 HANDRAILS AND RHODODENDRON RAILING TO BE TREATED W/ SIKKENS CETOL LOG & SIDING (OR EQUAL); COLOR: NATURAL OAK; APPLY PER MANUFACTURERS INSTRUCTIONS.

(2) ALL SCREWS TO BE TORX-DRIVE EXTERIOR DECK SCREWS (OR EQUAL).

(3) ALL OPENINGS IN RAILING TO BE LESS THAN 4".

(4) RHODODENDRON RAILS TO BE HARVESTED IN WINTER TO PREVENT SPLITTING AND SHRINKING.



COUNTY PARK TRAILHEAD

BURKE COUNTY, NC
County Manager's Office
P.O. Box 219
Morganton, NC 28680
Phone: (828) 764-9350



DESTINATION BY DESIGN
planning | design | promotion

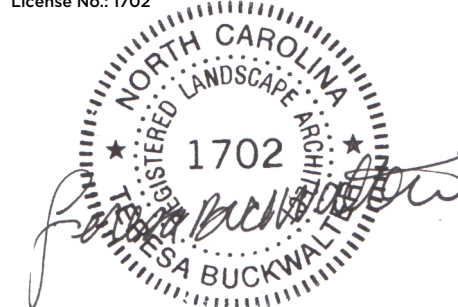
DESTINATION BY DESIGN
815 W. King St.
Boone, NC 28607
Ph: 828.386.1866

Project #: 7.7.15
Drawn By: CAG
Checked By: TKB
Scale: Varies

Issue	Date
1	03.08.17
2	10.11.17

Drawing Title:
TIMBER BRIDGE - CUSTOM RAILING

Seal:
Name: TERESA BUCKWALTER
Profession: LANDSCAPE ARCHITECT
License No.: 1702



Drawing No.: **A-23**